

STOPDIGGING!®

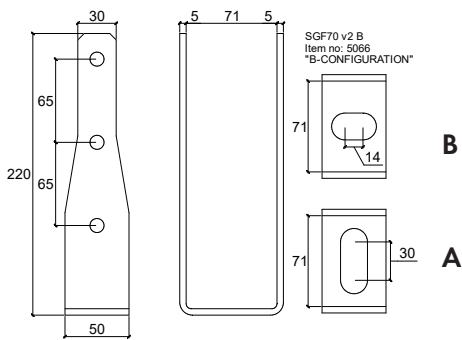
CERTIFICATE

| | |
|------------------------------|-----------------|
| Material | ISO 630 FE 360A |
| Product | EN 1090 |
| Galvanization | EN 1461 |
| Manufacturing process | ISO 9001:2015 |
| Installation process | ISO 9001:2015 |
| * Expected min. service life | 100 years |



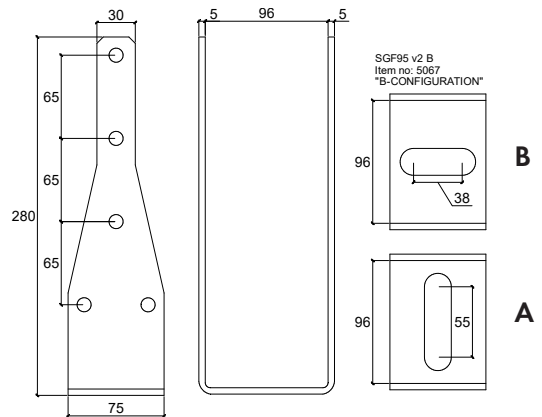
SGF APPLICATIONS

For attaching posts. Available in different heights and widths.



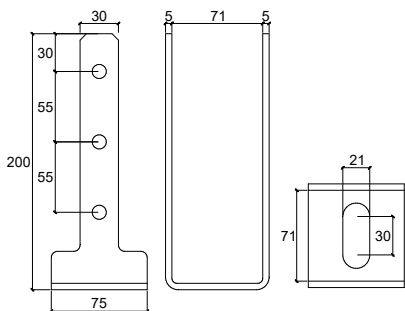
SGF70 v2 A Art 5064

SGF70 v2 B Art 5066

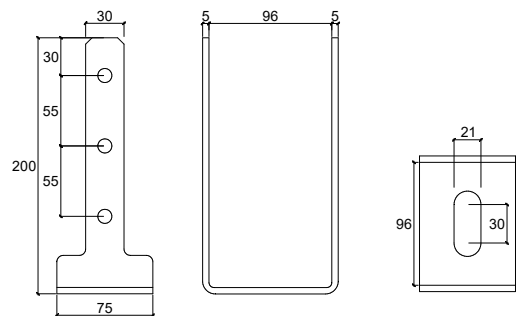


SGF95 v2 A Art 5065

SGF95 v2 B Art 5067



SGF70 Art 5003



SGF95 Art 5004